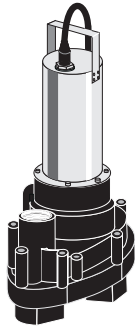


Submittal Data

60 Hertz



JOB or CUSTOMER: _____

ENGINEER: _____

CONTRACTOR: _____

SUBMITTED BY: _____ DATE: _____

APPROVED BY: _____ DATE: _____

ORDER NO: _____ DATE: _____

SPECIFICATION REF: _____

QUANTITY	TAG NO.	MODEL NO.	GPM	FEET	VOLT	PHASE	COMMENTS

Technical Data

- PERFORMANCE RANGE:**
- Flow: 0 – 170 U.S. GPM
 - Head: 0 – 47.5 feet of water
 - Horsepower: 4/10 – 1 1/2 HP

SOLIDS HANDLING:

- 2" spherical solids
- MOTOR TYPE:**
- AC Induction
 - Permanent split capacitor
 - Oil filled
 - Class F insulation
 - Manufactured by Grundfos

MOTOR DUTY:

- Continuous, not to exceed 8 hours per 24 hour period

THERMAL PROTECTION:

- Automatic reset
- STARTS PER HOUR:**
- Maximum 20 starts per hour
 - Evenly distributed once every 3 minutes

MOTOR BEARING SYSTEM:

- 1 ball / 1 sleeve bearing

- TEMPERATURE LIMITS:** Fluid temperature, when fully submerged
- Normal motor duty – 104°F (40° C)
 - Intermittent operation (approx. 3-4 minutes) – 140°F (60° C)

DISCHARGE SIZE: 2" female NPT

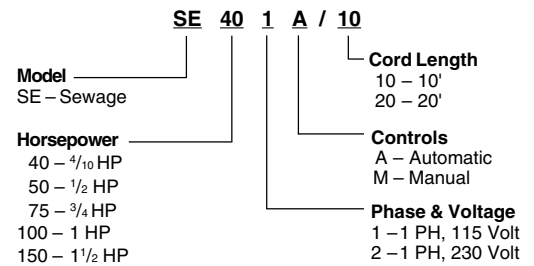
IMPELLER DESIGN:

- Vortex

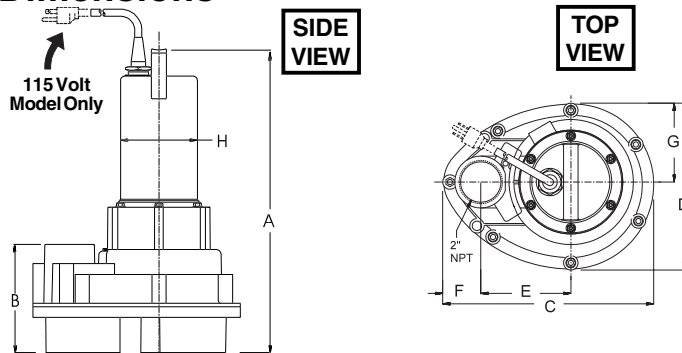
APPROVALS: Listed 99K4



Type Designation



Dimensions



		Maximum Dimensions							
HP		A	B	C	D	E	F	G	H
4/10	Inches	16 9/16	6 13/16	11 5/8	9 1/4	5	2 3/16	4 3/8	4 5/16
	mm	411	173	296	235	127	55	111.5	110
1/2 – 1 1/2	Inches	17 3/4	6 13/16	11 5/8	9 1/4	5	2 3/16	4 3/8	4 5/16
	mm	451	173	296	235	127	55	111.5	110

Weights

Pump Type SE	HP	Pump Only	Pump w/ Power Cord		Pump w/ Cord & Float Switch	
			10'	20'	10'	20'
Dry Wt. (lbs.)	4/10	19	20	20.5	21	22.5
	1/2	23	24	24.5	25	26.5
	3/4	23	24	24.5	25	26.5
	1	23	24	24.5	25	26.5
	1 1/2	25	26	26.5	27	28.5
Dry Wt. (kilograms)	4/10	8.62	9.07	9.30	9.53	10.21
	1/2	10.43	10.89	11.11	11.34	12.02
	3/4	10.43	10.89	11.11	11.34	12.02
	1	10.43	10.89	11.11	11.34	12.02
	1 1/2	11.34	11.79	12.02	12.25	12.93
Shipping Wt. (lbs.)	4/10	23.5	24.5	25	25.5	27
	1/2	27.5	28.5	29	29.5	31
	3/4	27.5	28.5	29	29.5	31
	1	27.5	28.5	29	29.5	31
	1 1/2	29.5	30.5	31	31.5	33
Shipping Wt. (Kilograms)	4/10	10.66	11.11	11.34	11.57	12.25
	1/2	12.47	12.93	13.15	13.38	14.06
	3/4	12.47	12.93	13.15	13.38	14.06
	1	12.47	12.93	13.15	13.38	14.06
	1 1/2	13.38	13.83	14.06	14.29	14.97

Shipping Volume (4/10 – 1 1/2 HP)

Pump Type SE	Pump w/ Power Cord		Pump w/ Cord & Float Switch	
	10'	20'	10'	20'
Cu. Ft.	1.94	1.94	1.94	1.94
Cu. M.	0.055	0.055	0.055	0.055

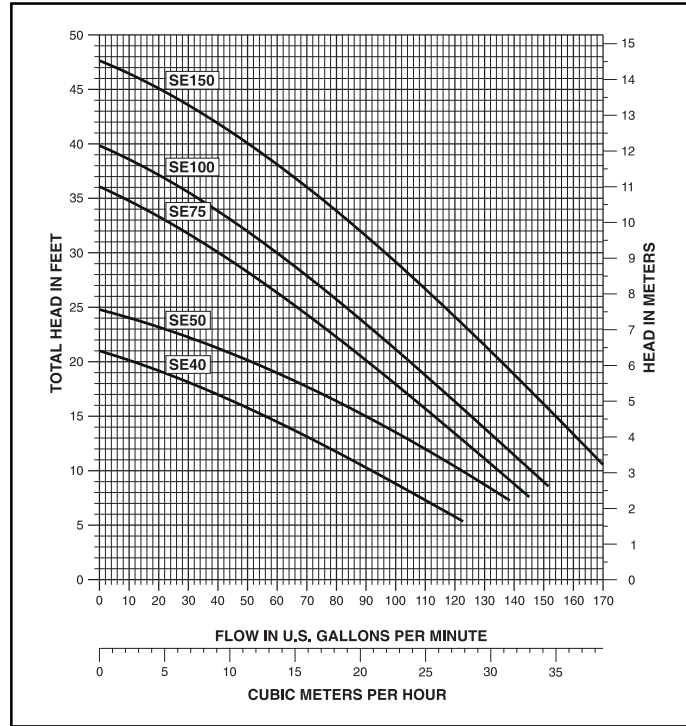
Electrical Data

Pump Type	HP	Service Factor	PH	Input Voltage (Volts)	Maximum Power Consumption (Watts)	Maximum Current (Amps)	Locked Rotor Current (Amps)	Nominal Speed (Rpm)
SE	4/10	1.4	1	115	935	8.7	18	1625
		1.4	1	230	850	3.9	9	1615
	1/2	1.6	1	115	1155	11.2	24	1635
		1.6	1	230	1110	5.2	12	1630
	3/4	1.5	1	230	2155	9.7	23	3335
	1	1.4	1	230	2290	10.3	23	3315
1 1/2	1.3	1	230	2890	13.1	30	3350	

Sewage (SE – Single Phase)

Sectional Drawing

Performance Curve

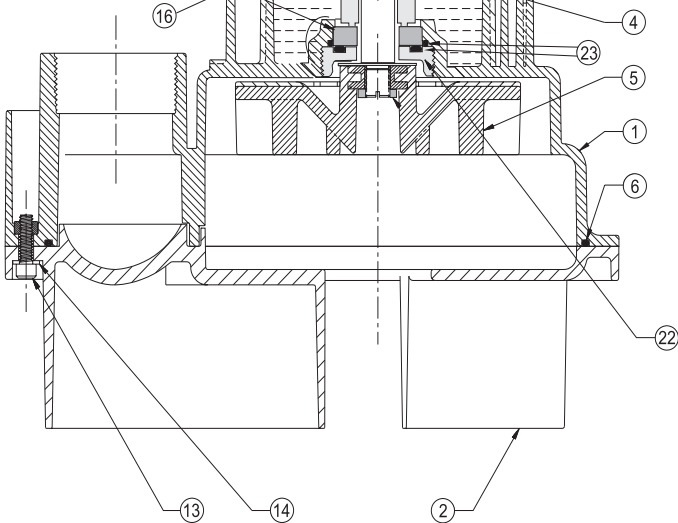


Object and mating boss have been rotated 30° into view

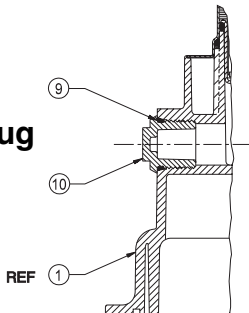
Materials of Construction

Pos.	Description	Material
1	Volute, Top	Amodel 1125 HS®/Polypropylene
2	Volute, Lower	Polypropylene
3	Mechanical Shaft Seal	Ceramic, Carbon, NBR, 316 SS
4	Lip Seal	NBR
5	Vortex Impeller	Ryton BR111
6	Volute O'Ring	NBR
7	Motor Housing O'Ring	NBR
8	Pin Connector O'Ring	NBR
9	Port Plug O'Ring	NBR
10	Port Plug	Amodel 1125 HS®
11	3-Pin Connector	Rynite 530FR
12	Screw, Hi-Lo TorX	303 SS
13	Screw Coated & Nut	304 SS
14	Washer 1/4"	303 SS
15	Spacer Ring	ABS Plastic
16	Ball Bearing	304 SS
17	Motor Housing	316 SS
18	Cable Nut	304 SS
19	Power Cord	SJOW-A-Neoprene
20	Motor/Pump Shaft	ST 50 mild steel / 304 SS
22	Upper Volute Gland	Ryton BR111
23	Shaft Seal O'Rings	NBR
24	Sleeve Bearing	Bronze
Interior of Mtr.	Motor Oil	Polyalphaolefin

® Registered trademark of Amoco Oil Company



Port & Plug



GRUNDFOS®



Leaders in Pump Technology

Grundfos Pumps Corporation • 3131 N. Business Park Avenue • Fresno, CA 93727

Customer Service Centers: Allentown, PA • Fresno, CA

Phone: (559) 292-8000 • Fax: (559) 291-1357

Canada: Oakville, Ontario • Mexico: Apodaca, N.L.

Visit our website at www.us.grundfos.com



L-SE-TL-010 | Rev. 05/99
PRINTED IN USA