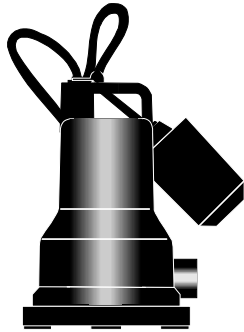


Submittal Data

60 Hertz





JOB or CUSTOMER:
 ENGINEER:
 CONTRACTOR:
 SUBMITTED BY: DATE:
 APPROVED BY: DATE:
 ORDER NO: DATE:
 SPECIFICATION REF:

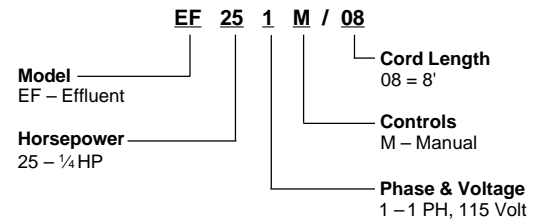
| QUANTITY | TAG NO. | MODEL NO. | GPM | FEET | VOLT | PHASE | COMMENTS |
|----------|---------|-----------|-----|------|------|-------|----------|
| | | | | | | | |
| | | | | | | | |

Technical Data

- PERFORMANCE RANGE:**
- Flow: 0 – 28 U.S. GPM
 - Head: 0 – 17 feet of water
- SOLIDS HANDLING:**
- ½" spherical solids
- MOTOR TYPE:**
- AC Induction
 - Permanent split capacitor
 - Oil filled
 - Class C insulation
- MOTOR DUTY:**
- Continuous

- THERMAL PROTECTION:**
- Automatic reset
- STARTS PER HOUR:**
- Maximum 20 starts per hour
 - Evenly distributed once every 3 minutes
- TEMPERATURE LIMITS: Fluid temperature**
- Minimum: 40°F (4.4° C)
 - Maximum: 120°F (48.9° C)
- DISCHARGE SIZE: 1 ¼" female NPT and ¾" adjustable hose fitting (included)**
- IMPELLER DESIGN:**
- Vortex
- APPROVALS:**  

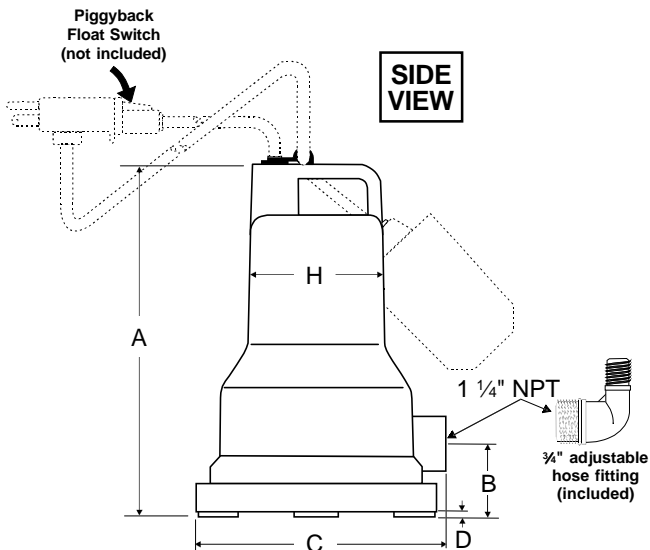
Type Designation



Weights

| Pump Type EF25 | Pump Only | Pump with Cord |
|--------------------------|-----------|----------------|
| Dry Wt. (lbs.) | 5.9 | 6.5 |
| Dry Wt. (kilograms) | 2.7 | 2.9 |
| Shipping Wt. (lbs.) | 6.3 | 6.9 |
| Shipping Wt. (kilograms) | 2.9 | 3.1 |

Dimensions

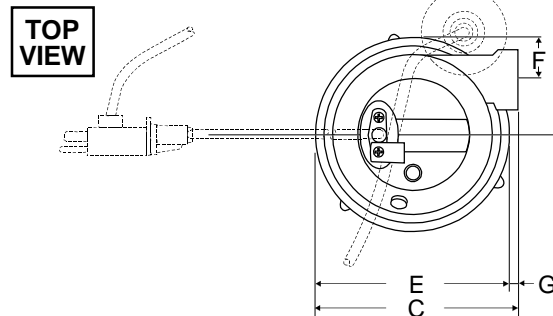


Shipping Volume

| Pump Type EF25 | Pump with Cord |
|----------------|----------------|
| Cu. Ft. | .26 |
| Cu. M. | .008 |

Maximum Dimensions

| | A | B | C | D | E | F | G | H |
|--------|-----|------|-----|-----|-------|------|-----|-----|
| Inches | 9 ½ | 1 ¾ | 6 ½ | ½ | 6 ¼ | 1 ¾ | ¼ | 3 ¾ |
| mm | 241 | 44.5 | 165 | 3.2 | 158.8 | 30.2 | 6.4 | 92 |

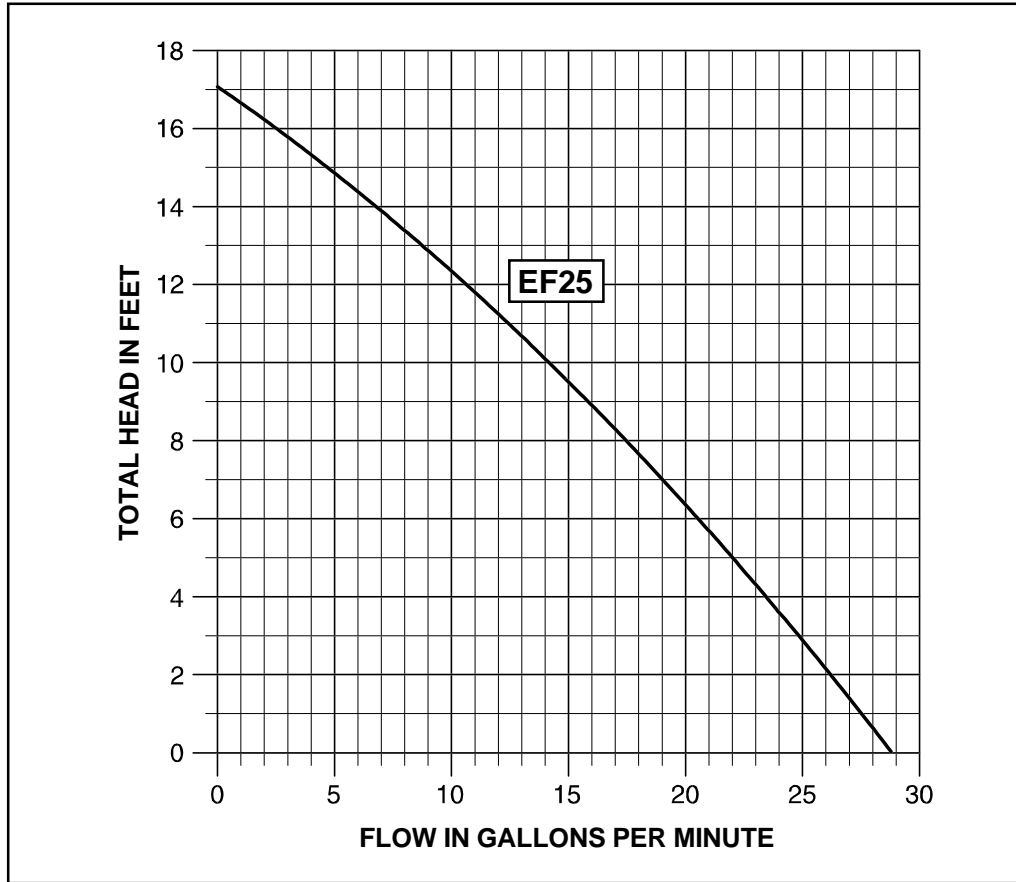


Electrical Data

| Pump Type | HP | Service Factor | PH | Input Voltage (Volts) | Maximum Power Consumption Watts | Maximum Current (Amps) | Locked Rotor Current (Amps) | Nominal Speed (Rpm) |
|-----------|----|----------------|----|-----------------------|---------------------------------|------------------------|-----------------------------|---------------------|
| EF25 | ¼ | 1.0 | 1 | 115 | 530 | 6.2 | 6.84 | 3000 |

UTILITY/EFFLUENT (EF25 – Single Phase)

Performance Curve



Materials of Construction

| Description | Material |
|--------------------|--------------------------------|
| Motor Housing | Glass Reinforced Thermoplastic |
| Volute | Glass Reinforced Thermoplastic |
| Impeller | Glass Reinforced Thermoplastic |
| Shaft | 416 SS |
| Lip Seals & O-Ring | Buna N |
| Power Cord Set | 3-Prong |
| Interior of Motor | Motor Oil |

GRUNDFOS



Leaders in Pump Technology



Grundfos Pumps Corporation • 2555 Clovis Avenue • Clovis, CA 93612
 Area Centers: Allentown, PA • Atlanta, GA • Chicago, IL • Clovis, CA • Dallas, TX • Seattle, WA
 Phone: (800) 333-1366 • Fax: (800) 333-1363
 Canada: Mississauga, Ontario • Mexico: Apodaca, N.L.

L-SE-TL-009 | 10/96
 PRINTED IN USA