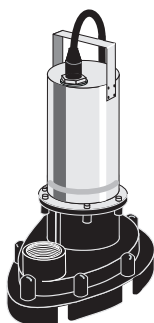


Submittal Data

60 Hertz



JOB or CUSTOMER: _____

ENGINEER: _____

CONTRACTOR: _____

SUBMITTED BY: _____ DATE: _____

APPROVED BY: _____ DATE: _____

ORDER NO: _____ DATE: _____

SPECIFICATION REF: _____

QUANTITY	TAG NO.	MODEL NO.	GPM	FEET	VOLT	PHASE	COMMENTS

Technical Data

PERFORMANCE RANGE:

- Flow: 0 – 64 U.S. GPM
- Head: 0 – 27 feet of water

SOLIDS HANDLING:

- 3/4" spherical solids

MOTOR TYPE:

- AC Induction
- Permanent split capacitor
- Oil filled
- Class F insulation
- Manufactured by Grundfos

MOTOR DUTY:

- Continuous, not to exceed 8 hours per 24 hour period

THERMAL PROTECTION:

- Automatic reset

STARTS PER HOUR:

- Maximum 20 starts per hour
- Evenly distributed once every 3 minutes

MOTOR BEARING SYSTEM:

- 2 bronze sleeve bushings

TEMPERATURE LIMITS: Fluid temperature

- Continuous operation when fully submerged
- 104°F (40°C)
- Intermittent operation (approx. 3-4 minutes)
- 122°F (50°C)

DISCHARGE SIZE: 1 1/2" female NPT

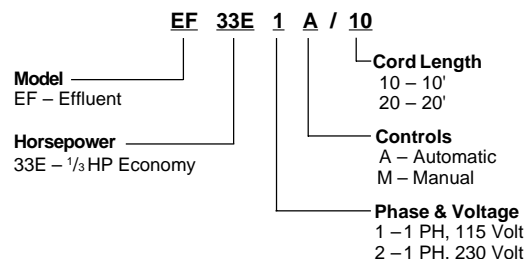
IMPELLER DESIGN:

- Semi-open centrifugal

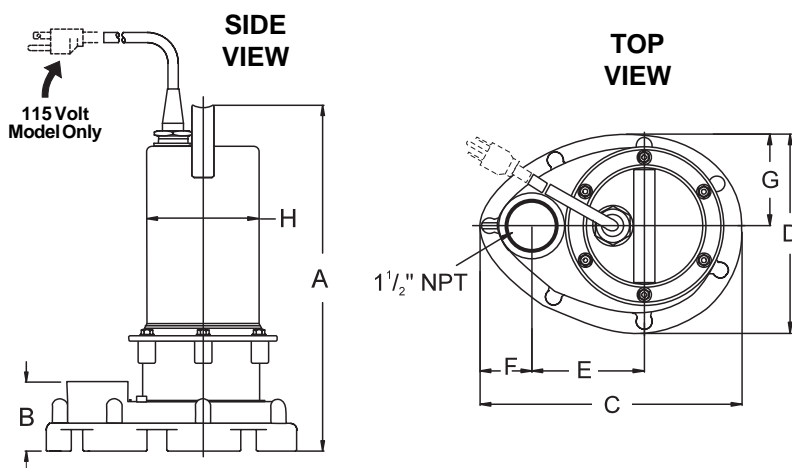
APPROVALS: Listed 99K4



Type Designation



Dimensions



Weights

Pump Type EF33E	Pump Only	Pump w/ Power Cord		Pump w/ Cord & Float Switch	
		10'	20'	10'	20'
Dry Wt. (lbs.)	14	15	15.5	16	17.5
Dry Wt. (kilograms)	6.35	6.80	7.03	7.26	7.94
Shipping Wt. (lbs.)	17	18	18.5	19	20.5
Shipping Wt. (kilograms)	7.71	8.16	8.39	8.62	9.30

Shipping Volume

Pump Type EF33E	Pump w/ Power Cord		Pump w/ Cord & Float Switch	
	10'	20'	10'	20'
Cu. Ft.	.92	.92	.92	.92
Cu. M.	.026	.026	.026	.026

Maximum Dimensions

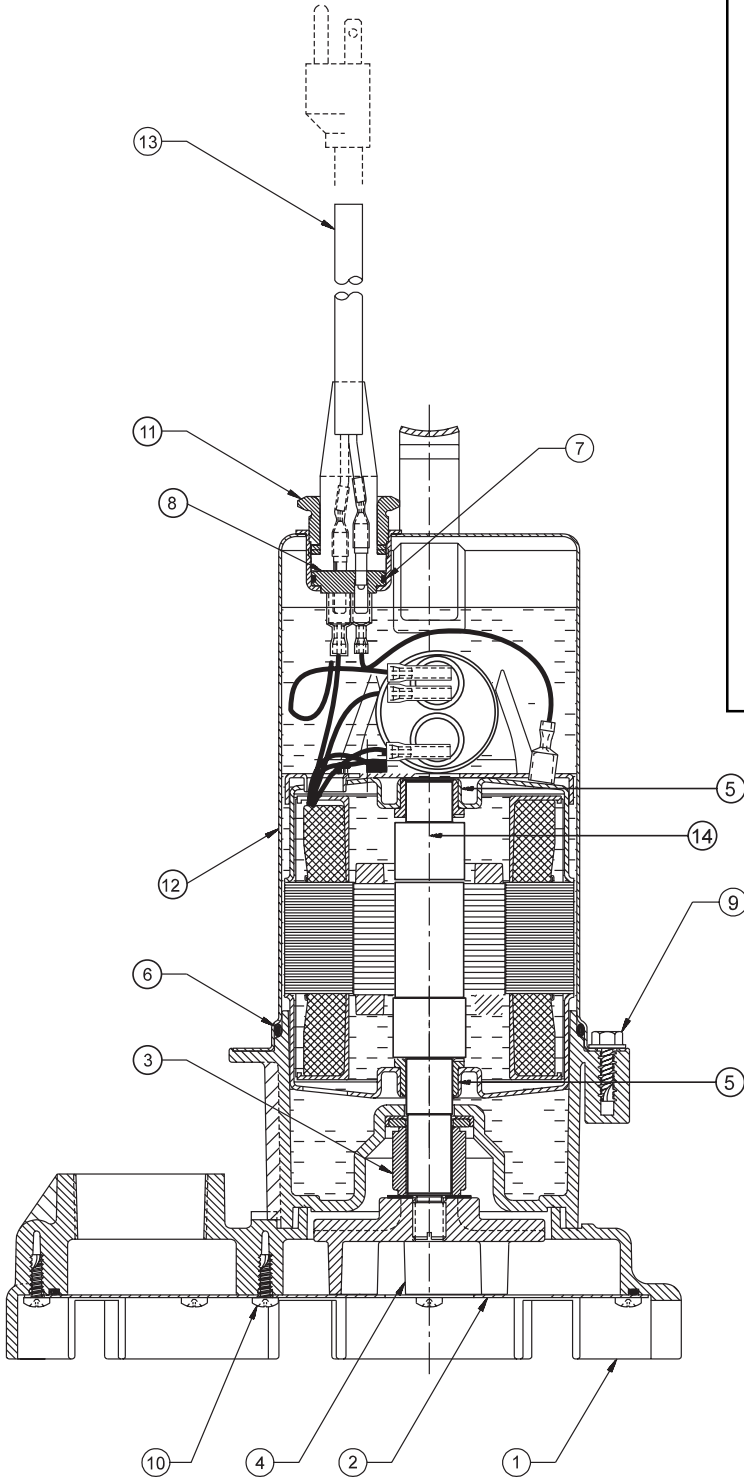
	A	B	C	D	E	F	G	H
Inches	13 5/16	2 11/16	9 5/8	7 3/8	4 3/16	2	3 7/16	4 5/16
mm	338.5	68.5	245	187	105.8	50.3	87	110

Electrical Data

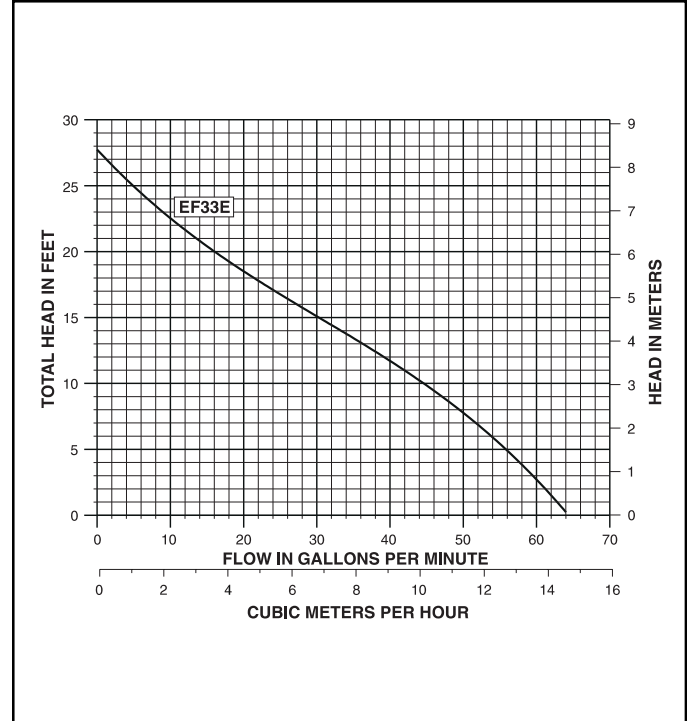
Pump Type	HP	Service Factor	PH	Input Voltage (Volts)	Maximum Power Consumption (Watts)	Maximum Current (Amps)	Locked Rotor Current (Amps)	Nominal Speed (Rpm)
EF33E	1/3	1.15	1	115 230	675 600	6.0 2.7	12 6	3140 3145

ECONOMY EFFLUENT (EF33E – Single Phase)

Sectional Drawing



Performance Curve



Materials of Construction

Pos.	Description	Material
1	Volute	PVC 883 GR30
2	Base Plate	201 SS
3	Mechanical Shaft Seal	Silicon carbide, NBR, 316 SS
4	Impeller	PVC 883 GR30
5	Sleeve Bushings	Bronze, oil impregnated
6	Motor Housing O'Ring	NBR
7	Pin Connector O'Ring	NBR
8	3-Pin Connector	Rynite 530FR
9	Screw, Hi-Lo TorX	303 SS
10	Screw, Phillips	302 SS
11	Cable Nut	304 SS
12	Motor Housing	316 SS
13	Power Cord	SJOW-A-Neoprene
14	Motor/Pump Shaft	1045 mild steel
Interior of Mtr.	Motor Oil	Pennzoil transform oil, Type II

GRUNDFOS



Leaders in Pump Technology

Grundfos Pumps Corporation • 3131 N. Business Park Avenue • Fresno, CA 93727

Customer Service Centers: Allentown, PA • Fresno, CA

Phone: (800) 333-1366 • Fax: (800) 333-1363

Canada: Oakville, Ontario • Mexico: Apodaca, N.L.

Visit our website at www.us.grundfos.com



L-SE-TL-011 | Rev. 2/98
PRINTED IN USA